

Honeyville

Distributors



Hot Dip Galvanized For Long Life **and** Low Maintenance

Flat Back or Full Round Models, 45° or 60° Flow





Distributor service door platform mounts on the door frame and is an option for all distributors.



Urethane lining for extended wear.



Positive locking index plate located under the distributor for protection from dust and weather.



Swing spout rotates on a solid shaft with a flanged block bearing.



No tools required to open door for cleaning and maintenance. All internal parts can be disassembled and removed through the opening.



Internal components bolt together for easy replacement.



Brush on swing spout to reduce dust buildup.



Spring tensioned latch mechanism.



Electronic Positioning Control (“EPC”)

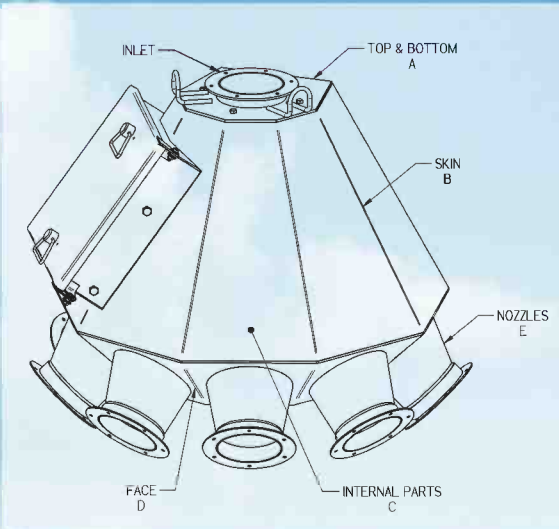
Includes programmable micro processor, operator control panel with 2 line display, 3 lighted indicators, 5 function keys and numeric keypad, along with main power on/off switch, all housed within a NEMA 4X/6P fiberglass enclosure.



Weather tight enclosure housing a shaft mounted gear reduction direct drive package with AC motor. The positioning of the internal spout is controlled by a micro processor with no mechanical limit switches required. All this is easily accessible through a large service door.



Typical installation of an EPC 8 hole distributor, shown on a model 43-24 elevator.

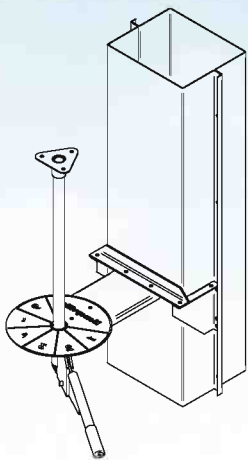


Inlet & Nozzle Dia.	Distributor Material Specifications					
	Group #	A	B	C	D	E
6", 8", 10"	1	1/4"	12 Ga.	10 Ga.	7 Ga.	10 Ga.
12", 14"	2	5/16"	10 Ga.	7 Ga.	1/4"	7 Ga.
16", 18", 20"	3	3/8"	10 Ga.	1/4"	1/4"	1/4"

Distributor EPC Information				
Group #	Primary input voltage	Motor	Drive enclosure	Controller enclosure
1	120 / 60 / 1	1/8 hp	18" x 18" x 29"	18" x 9" x 19"
2	220/440 / 60 / 3	1/4 hp	24" x 24" x 47"	18" x 9" x 19"
3	220/440 / 60 / 3	1/2 hp	24" x 24" x 47"	18" x 9" x 19"

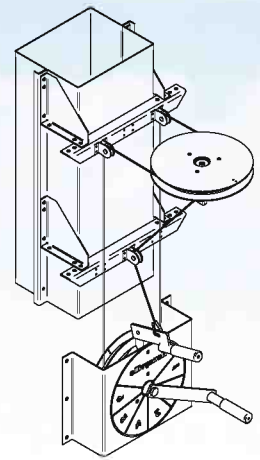
Features

Pipe Control



- Control options: Pipe Control (standard), Cable Control, or Electronic Positioning Control ("EPC") for remote operations
- Optional Stainless Steel in place of hot dip galvanized construction
- Optional urethane lining of the swing spout and outlet nozzles
- Enlarged transition throat for higher capacity at the critical turning point in the grain flow with standard urethane lining
- Hot dip galvanizing after the fabrication process provides rust protection on the internal and external surfaces
- The swing spout assembly rotates on 4 guide bearings at the top and a flange block bearing at the bottom for smooth movement

Cable Control



Fully Enclosed - Dust and Weather Tight

Manufactured by



4200S 900W • Topeka, IN 46571
 Phone (800) 593-8377 • Fax (260) 593-2486
www.honeyvillemetal.com